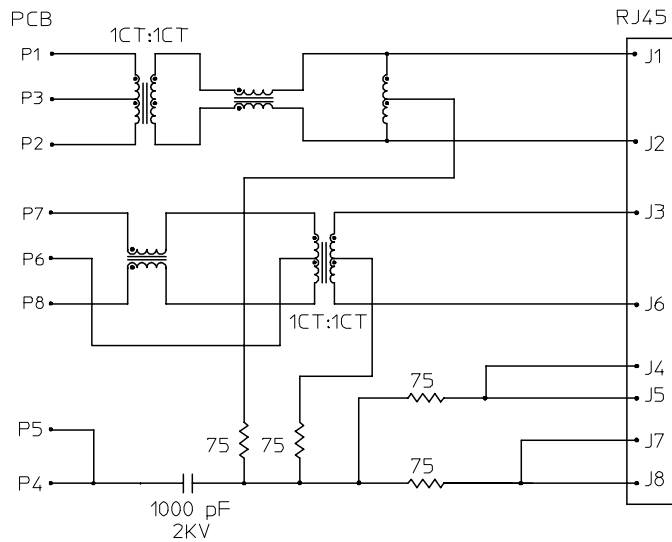
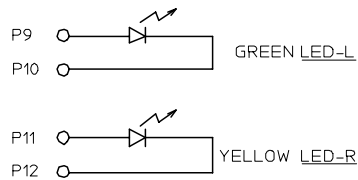


- NOTES:
- MATERIAL:  
METAL SHELL: BRASS.  
HOUSING: HIGH TEMP THERMOPLASTIC, GLASS FIBER FILLED, UL94V-0, COLOR: BLACK  
INSERT: HIGH TEMP THERMOPLASTIC, GLASS FIBER FILLED, UL94V-0, COLOR: BLACK  
TERMINAL: PHOSPHOR BRONZE.  
RESIN: UEP-700
  - PLATING:  
TERMINAL:  
CONTACT AREA: GOLD (Au), THICKNESS=50 MICROINCH/1.27 MICROMETER MINIMUM.  
SOLDER TAIL: TIN (Sn), THICKNESS=100 MICROINCH/2.54 MICROMETER MINIMUM.  
UNDER PLATE: NICKEL (Ni).  
METAL SHELL:  
SOLDER TAIL: TIN (Sn), THICKNESS=100 MICROINCH MINIMUM  
UNDER PLATE: NICKEL (Ni), (SOLDERING AVAILABLE)  
SURFACE APPEARANCE: BRIGHT.
  - RECOMMENDED PCB THICKNESS: 1.60±0.05
  - PRODUCT SPECIFICATION REFER TO PS-48025-004
  - TEST SUMMARY REFER TO TS-48025-006
  - PACKAGING SPECIFICATION REFER TO PK-48025-001
  - LEAD FREE AND ROHS COMPLIANCE PRODUCT
  - IR REFLOW APPLICATION PRODUCT

TOOLING RELEASED EC NO: SH2006-0106 DRWN: ALL IN CHKD: APPR: WWSCHANG	2005/10/07 2005/10/12 2005/10/13	DESCRIPTION REV	QUALITY SYMBOLS ▽=0 ◻=0	GENERAL TOLERANCES (UNLESS SPECIFIED)		DIMENSION STYLE MM ONLY		SCALE 1:1	DESIGN UNITS METRIC	THIRD ANGLE PROJECTION			
					mm	INCH	DRAWN BY LINDA	DATE 2005/08/26	TITLE MODR JK RA DIP WITH LED MAGNETICS FOR IR REFLOW (LEAD FREE VERSION)				
				4 PLACES	±---	±---	CHECKED BY ALLEN LIN	DATE 2005/08/26	MOLEX INCORPORATED				
				3 PLACES	±---	±---	APPROVED BY WILSON CHANG	DATE 2005/08/26					
2 PLACES	±0.25	±---	DRAFT WHERE APPLICABLE MUST REMAIN WITHIN DIMENSIONS			MATERIAL NO. 48025-0002	DOCUMENT NO. SD-48025-006	SHEET NO. 1 OF 2					
1 PLACE	±0.25	±---			SIZE A4	THIS DRAWING CONTAINS INFORMATION THAT IS PROPRIETARY TO MOLEX INCORPORATED AND SHOULD NOT BE USED WITHOUT WRITTEN PERMISSION							



MAGNETIC SCHEMATIC



LED SCHEMATIC

MAGNETIC ELECTRICAL SPECIFICATION

PARAMETER	SPECIFICATIONS		
	100 KHz	1-125 MHz	
INSERTION LOSS	1.2 dB MAX	0.2+0.002*f^1.4 dB MAX	
RETURN LOSS (Z OUT=100 OHM±15%)	1-30 MHz	30-60 MHz	60-80 MHz
	16 dB MIN	10-20*LOG <sub>10</sub> (f/60 MHz) dB MIN.	10 dB MIN.
INDUCTANCE (OCL) (MEDIA SIDE, 0° +70°C)	350 uH MIN (MEASURED AT 100 KHz, 100 nVRMS AND WITH 8 mA DC BIAS)		
CROSSTALK, ADJACENT CHANNELS	1 MHz	10-100 MHz	
	50 dB MIN	50-17*LOG <sub>10</sub> (f/10) dB MIN.	
COMMON MODE REJECTION RATIO	2 MHz	30-200 MHz	
	50 dB MIN	15-20*LOG <sub>10</sub> (f/200) dB MIN.	
DC RESISTANCE 1/2 WINDING	0.60 OHMS MAX.		
DC RESISTANCE IMBALANCE	±0.065 OHMS MAX (CENTER TAP SYMMETRY)		
HI-POT ISOLATION	1500 VRMS AC		

NOTE: f IS FREQUENCY IN MHz.

LED ELECTRICAL SPECIFICATION

PARAMETER	YELLOW (TYP.)	GREEN (TYP.)	UNITS	TEST CONDITIONS
POWER DISSIPATION	105	105	mW	
REVERSE VOLTAGE	5	5	V	
PEAK WAVELENGTH	590	565	nm	I <sub>F</sub> =20mA
FORWARD VOLTAGE	2.1 MAX.=2.5	2.2 MAX.=2.5	V	I <sub>F</sub> =20mA

SEE SHEET 1 EC NO: SH2006-0106 DRWN: ALL IN CHKD: APPR: WWSCHANG	QUALITY SYMBOLS ▽=0 ◻=0	GENERAL TOLERANCES (UNLESS SPECIFIED)		DIMENSION STYLE MM ONLY		SCALE 1:1	DESIGN UNITS METRIC	THIRD ANGLE PROJECTION	
			mm	INCH	DRAWN BY LINDA	DATE 2005/08/26	TITLE MODR JK RA DIP WITH LED MAGNETICS FOR IR REFLOW (LEAD FREE VERSION)		
		4 PLACES	±---	±---	CHECKED BY ALLEN LIN	DATE 2005/08/26	MOLEX MOLEX INCORPORATED		
		3 PLACES	±---	±---	APPROVED BY WILSON CHANG	DATE 2005/08/26	MATERIAL NO. 48025-0002	DOCUMENT NO. SD-48025-006	SHEET NO. 2 OF 2
			2 PLACES	±0.25	±---	THIS DRAWING CONTAINS INFORMATION THAT IS PROPRIETARY TO MOLEX INCORPORATED AND SHOULD NOT BE USED WITHOUT WRITTEN PERMISSION			
			1 PLACE	±0.25	±---				
			ANGULAR ± 3 °						
			DRAFT WHERE APPLICABLE MUST REMAIN WITHIN DIMENSIONS						